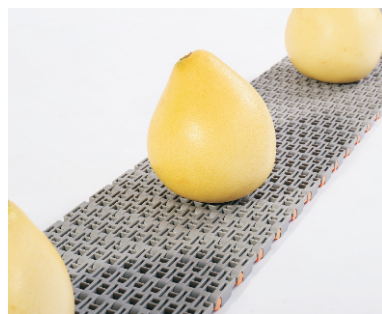
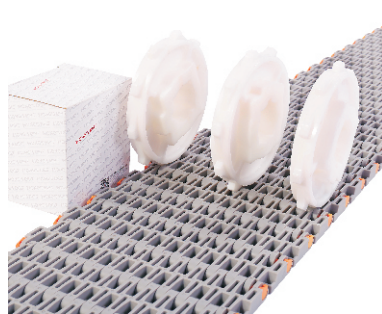
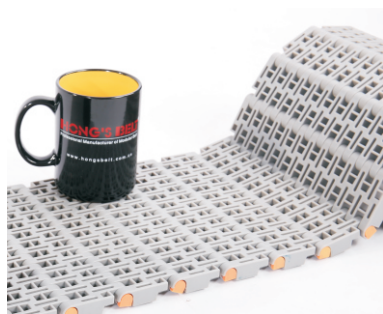
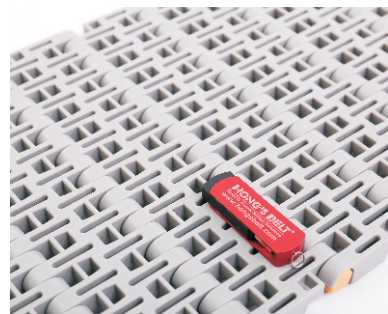
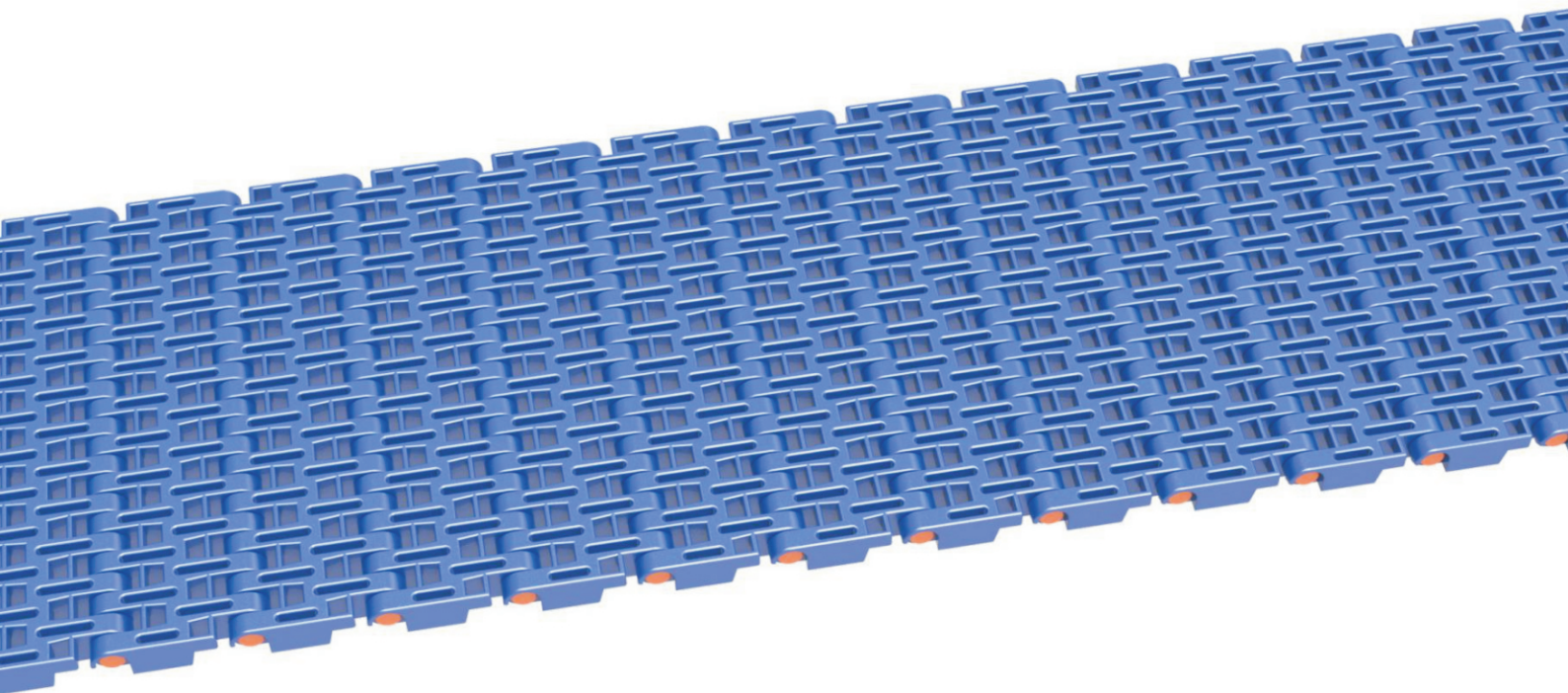


## HS-900B-HD Technical Data Sheet



Pitch: 50.8mm Minimum Width: 223mm Open Area: 32% Permit: FDA Rod: Ø 7.0mm Flight: Yes Side Guard: No Curve : Non	
--	--

## Data

Belt Material	Belt Strength Kg/M (BW)		Curve	Temperature		Belt Weight (Kg/M <sup>2</sup> )
	Straight			°C (min.)	°C (max.)	
	Kg/M(BW)	N/M(BW)				
Polypropylene	2745	27450	--	1	110	8.2
Polyethylene	2610	26100	--	-60	60	8.6
Acetal	3090	30900	--	-40	80	12.4
Nylon	2400	24000	--	1	180	11.2

BW – Belt Wide

## Color Table

Polypropylene					Polyethylene					Acetal					Nylon				
W	G	N	DB	B	W	G	N	DB	B	W	G	N	DB	B	W	G	N	DB	B
●	●																		

W-White, G-Gray, N-Nature, DB-Darkbrown, B-Blue

## Friction Tables

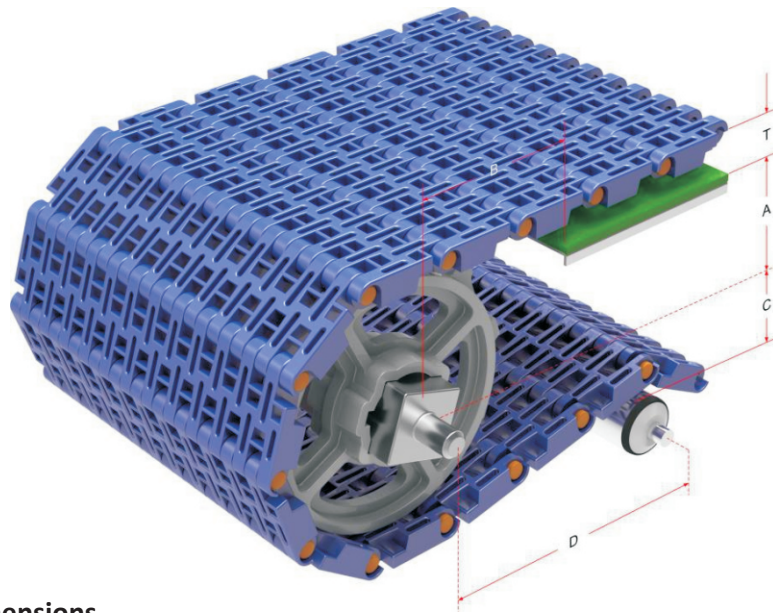
Belt Material	Friction Wearstrips & Products							
	UHMW	HDPE	Steel	Glass	SUS	Plastic	Cardboard	Aluminum
Polypropylene	0.32	0.24	0.15	0.09	0.13	0.08	0.15	0.25
Polyethylene	0.13	0.11	0.26	0.19	0.31	0.16	0.21	0.41
Acetal	0.11	0.09	0.27	0.16	0.26	0.15	0.19	0.28
Nylon	0.18	0.13	0.25	0.16	0.26	0.16	0.19	0.27

SUS – Stainless Steel

## Equivalent type with other Brand

Brand Name	Intralox	UNI	Rexnord	MCC	Habasit	KVP
Series & Type	200	DPB	2000	2000	M5000	620
	400	SNB	2010		M5100	
	800/850	MPB	6390			

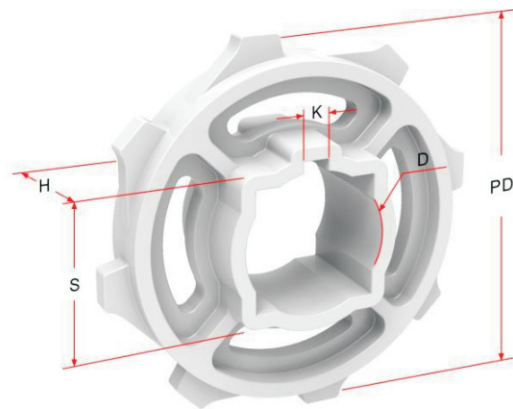
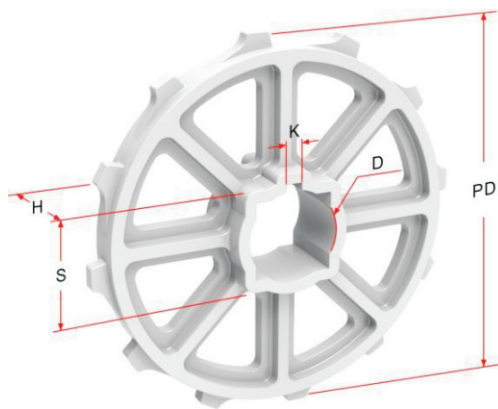
The above content is only for reference.



**Conveyor Frame Dimensions**

Unit: mm

No. Teeth	A (Min.)	B (Min.)	C (Max.)	D (Min.)	T
8	52.7	70.7	48.7	250	16
9	61.5	79.5	57.5	250	
10	70.6	88.6	66.6	300	
12	86	104	82	300	
16	120	138	116	300	



**Sprocket Dimensions**

Unit: mm

No. Teeth	PD	S	D	H	K
8	121.4	38.5/40.5	--	38	--
9	139	38.5/40.5	--	38	--
10	157.2	38.5/40.5/50.5	65.3	38	18x11
12	188	38.5/40.5	--	38	--
16	256	90.2	--	38	--